

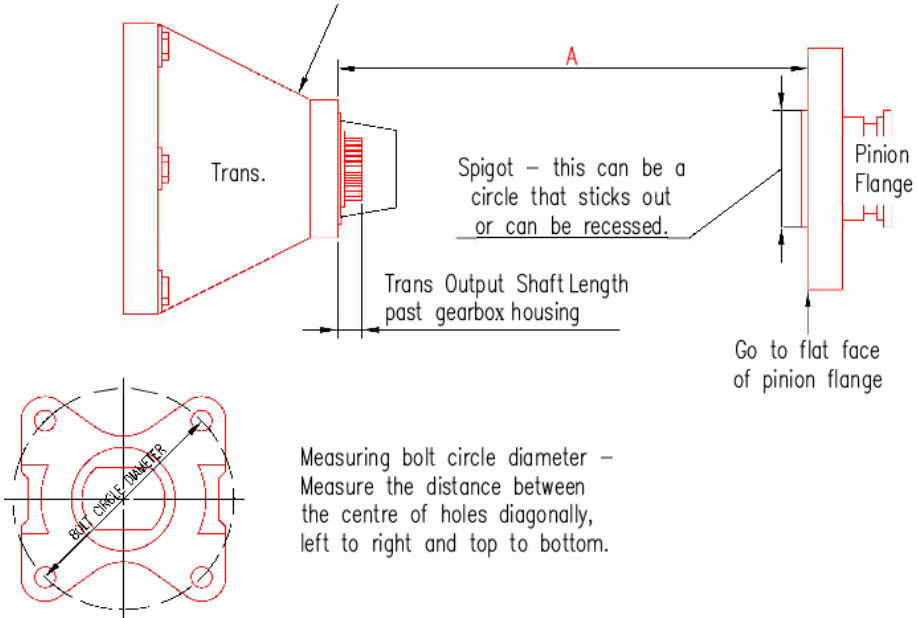
1 PIECE NEW SLIP YOKE REAR FLANGE TYPE PINION

NAME:		PHONE:	
ADDRESS:			

IMPORTANT:

The Driveshaft **MUST** be measured in normal road driving position.
 If the vehicle is to be jacked up it **MUST** be jacked up on the differential.
 Take all length dimensions from Vehicle – **NOT** the old driveshaft.

Note: If Trans. has a boot type seal that sticks out, go all the way to end of gearbox housing where seal drives in.



DESCRIPTION	DOCUMENT MEASUREMENTS HERE			
Vehicle Make				
Length from end of gearbox housing to flat face of flange	A=			
Length of Transmission Output Shaft				
Transmission Type OR Output Spline Count				
Differential type if known				
Boot Seal on Transmission?	<input type="checkbox"/> Yes	<input type="checkbox"/> No	Boot Seal Length	
Bolt circle diameter (measure distance between holes)	Diagonal		Left to Right	Top to bottom
Spigot	<input type="checkbox"/> Recessed <input type="checkbox"/> Protruding		Diameter	
Name:		Signature:		Date:

If you require assistance with the measurement of your driveshaft please don't hesitate to contact us.

Return form in person / fax or email to jobs@gibsondriveshaft.com.au