



GIBSON

DRIVESHAFT SERVICES

Where quality is everything.

GDS JOB NO:

Address: 19 Balook Drive
BERESFIELD NSW 2322
ABN: 79 101 176 372
Phone: 02 4958 3059
Email: team@gibsondriveshaft.com.au
Web: gibsondriveshaft.com.au

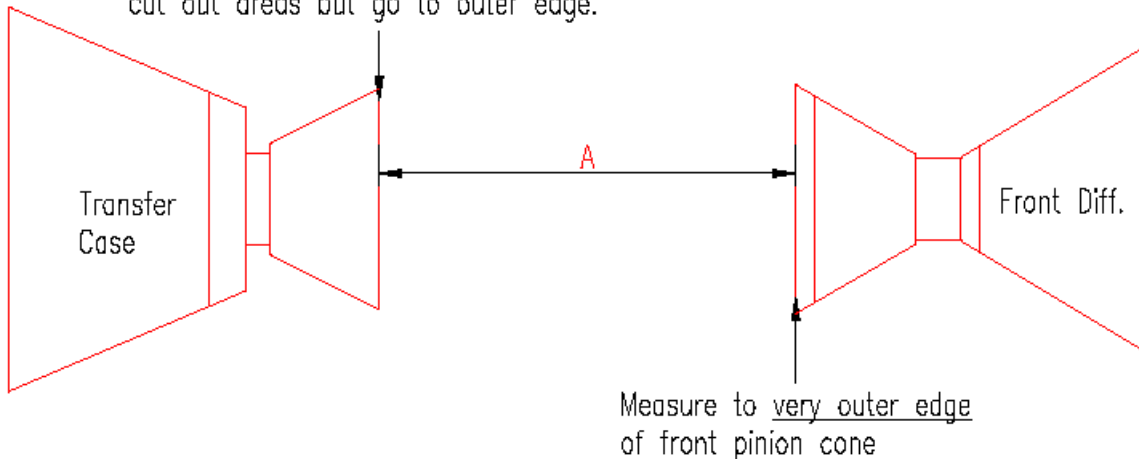
GRAND CHEROKEE WITH GKN 6 BALL TYPE CV AT TRANSFER CASE AND GKN 6 BALL CV AT FRONT DIFFERENTIAL

NAME:	<input type="text"/>	PHONE:	<input type="text"/>
ADDRESS:	<input type="text"/>		

IMPORTANT:

The Driveshaft **MUST** be measured in normal road driving position.
If the vehicle is to be jacked up it **MUST** be jacked up on the differential.
Take all length dimensions from Vehicle – **NOT** the old driveshaft.

Measure to very outer edge of transfer case cone flange. It may have some cut out areas but go to outer edge.



DESCRIPTION		DOCUMENT MEASUREMENTS HERE	
Vehicle Make		<input type="text"/>	
Engine Size		V8 <input type="checkbox"/> V6 <input type="checkbox"/>	
Length from edge of transfer case flange to edge of flange on front differential as shown by arrows. <i>Edge to edge only.</i>		A=	<input type="text"/>
Name:	<input type="text"/>	Signature:	<input type="text"/>
		Date:	<input type="text"/>

**Note: This vehicle will have enclosed GKN joints at both ends of the driveshaft.
No U-Joints on this driveshaft.**

If you require assistance with the measurement of your driveshaft please don't hesitate to contact us.

Return form in person / fax or email to jobs@gibsondriveshaft.com.au