



GIBSON

DRIVESHAFT SERVICES

Where quality is everything.

GDS JOB NO: _____

Address: 19 Balook Drive
BERESFIELD NSW 2322

ABN: 79 101 176 372

Phone: 02 4958 3059

Email: team@gibsondriveshaft.com.au

Web: gibsondriveshaft.com.au

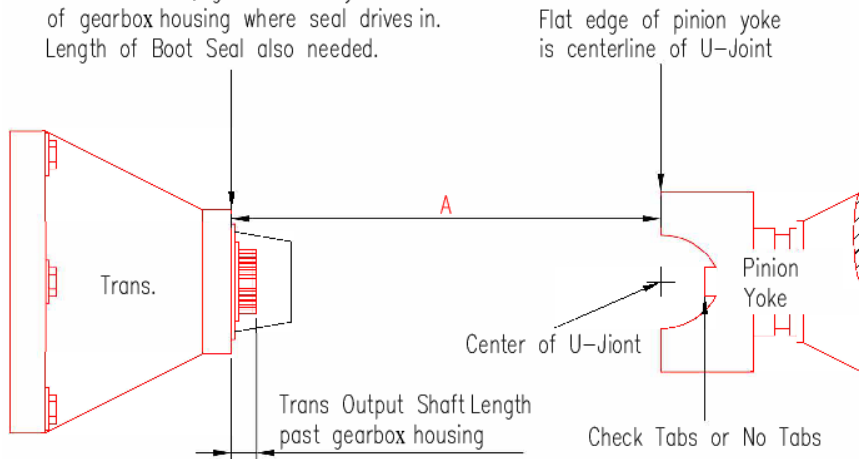
1 PIECE NEW SLIP YOKE REGULAR REAR PINION YOKE

NAME:	_____	PHONE:	_____
ADDRESS:	_____		

IMPORTANT:

The Driveshaft **MUST** be measured in normal road driving position.
If the vehicle is to be jacked up it **MUST** be jacked up on the differential.
Take all length dimensions from Vehicle – **NOT** the old driveshaft.

Note: If Trans. has a boot type seal that sticks out, go all the way to end of gearbox housing where seal drives in. Length of Boot Seal also needed.



DESCRIPTION	DOCUMENT MEASUREMENTS HERE		
Vehicle Make	_____		
Tabs or No Tabs on Diff Yoke?	<input type="checkbox"/> Yes	<input type="checkbox"/> No	
Length from end of gearbox housing to flat edge of pinion yoke	A=	_____	
Length of Transmission Output Shaft	_____		
Transmission Type OR Output Spline Count	_____		
Boot Seal on Transmission?	<input type="checkbox"/> Yes	<input type="checkbox"/> No	Boot Seal Length _____
Differential Type if Known	_____		
UJ Series of Pinion Yoke	_____		
Pinion Yoke UJ Width	_____		Cap Diameter _____
Name:	_____	Signature:	_____
			Date: _____

OE Ford 8" and 9" Pinion yokes can use either a 1 1/16 or 1 1/8 cap diameter.
This is only 1/16 different but is critical that this is checked carefully.

If you require assistance with the measurement of your driveshaft please don't hesitate to contact us.

Return form in person / fax or email to jobs@gibsondriveshaft.com.au