

<b>GDS JOB NO:</b>	
--------------------	--

Address: 5 Aluminium Close,  
EDGEWORTH NSW 2285  
Phone: +61 2 4958 3059  
+61 2 4958 8944  
Mobile: +61 417 018 229  
Enquiries: [chris@gibsondriveshaft.com.au](mailto:chris@gibsondriveshaft.com.au)  
Web: [www.gibsondriveshaft.com.au](http://www.gibsondriveshaft.com.au)  
ACN: 101 176 372 ABN: 79 101 176 372

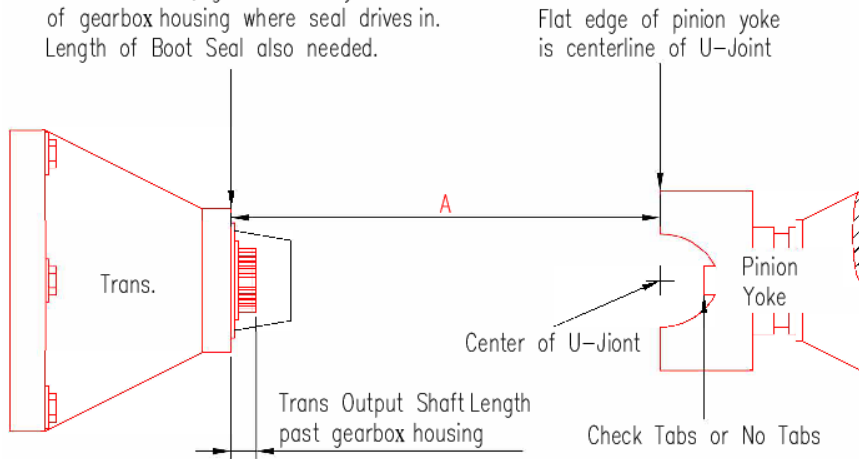
## 1 PIECE NEW SLIP YOKE REGULAR REAR PINION YOKE

<b>NAME:</b>		<b>PHONE:</b>	
<b>ADDRESS:</b>			

### IMPORTANT:

The Driveshaft **MUST** be measured in normal road driving position.  
If the vehicle is to be jacked up it **MUST** be jacked up on the differential.  
Take all length dimensions from Vehicle – **NOT** the old driveshaft.

Note: If Trans. has a boot type seal that sticks out, go all the way to end of gearbox housing where seal drives in. Length of Boot Seal also needed.



DESCRIPTION	DOCUMENT MEASUREMENTS HERE		
Vehicle Make			
Tabs or No Tabs on Diff Yoke?	<input type="checkbox"/> Yes	<input type="checkbox"/> No	
Length from end of gearbox housing to flat edge of pinion yoke	A=		
Length of Transmission Output Shaft			
Transmission Type OR Output Spline Count			
Boot Seal on Transmission?	<input type="checkbox"/> Yes	<input type="checkbox"/> No	Boot Seal Length
Differential Type if Known			
UJ Series of Pinion Yoke			
Pinion Yoke UJ Width			Cap Diameter

**OE Ford 8" and 9" Pinion yokes can use either a 1 1/16 or 1 1/8 cap diameter. This is only 1/16 different but is critical that this is checked carefully.**

*If you require assistance with the measurement of your driveshaft please don't hesitate to contact us.*

Return form in person / fax or email to [chris@gibsondriveshaft.com.au](mailto:chris@gibsondriveshaft.com.au)

Driveshafts - Mining, Car, Truck  
Dynamic Driveshaft Balancing  
Metal Spray Technology

Driveshaft Spare Parts Supplier  
OEM Driveshaft Supply Specialist  
Industrial CV Shafts

[www.gibsondriveshaft.com.au](http://www.gibsondriveshaft.com.au)