



GDS JOB NO:	
-------------	--

Address: 5 Aluminium Close,  
EDGEWORTH NSW 2285  
Phone: +61 2 4958 3059  
+61 2 4958 8944  
Mobile: +61 417 018 229  
Enquiries: chris@gibsondriveshaft.com.au  
Web: www.gibsondriveshaft.com.au  
ACN: 101 176 372 ABN: 79 101 176 372

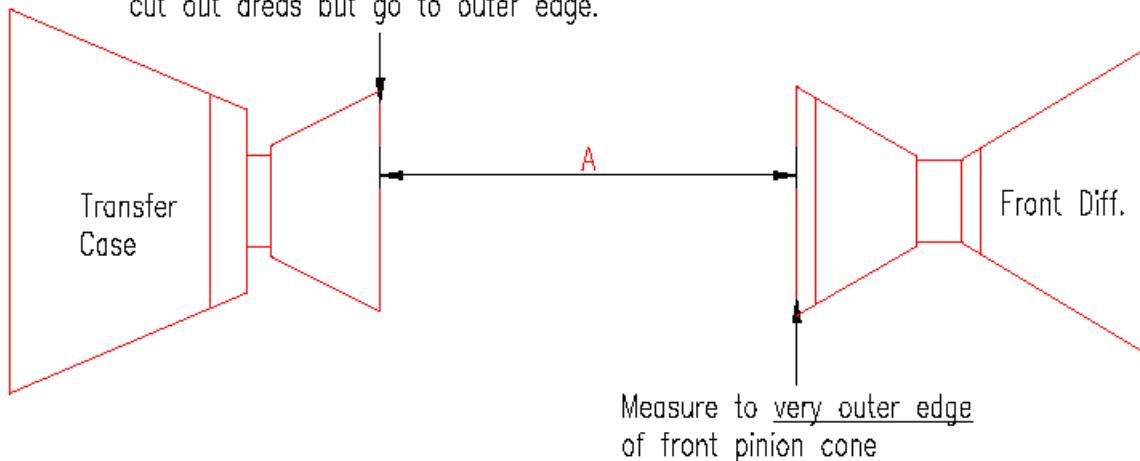
## GRAND CHEROKEE WITH GKN 6 BALL TYPE CV AT TRANSFER CASE AND GKN 6 BALL CV AT FRONT DIFFERENTIAL

NAME:		PHONE:	
ADDRESS:			

### IMPORTANT:

The Driveshaft **MUST** be measured in normal road driving position.  
If the vehicle is to be jacked up it **MUST** be jacked up on the differential.  
Take all length dimensions from Vehicle – **NOT** the old driveshaft.

Measure to very outer edge of transfer case cone flange. It may have some cut out areas but go to outer edge.



DESCRIPTION	DOCUMENT MEASUREMENTS HERE	
Vehicle Make		
Engine Size	V8 <input type="checkbox"/> V6 <input type="checkbox"/>	
Length from edge of transfer case flange to edge of flange on front differential as shown by arrows. <i>Edge to edge only.</i>	A=	

**Note: This vehicle will have enclosed GKN joints at both ends of the driveshaft.  
No U-Joints on this driveshaft.**

*If you require assistance with the measurement of your driveshaft please don't hesitate to contact us.*

*Return form in person / fax or email to [chris@gibsondriveshaft.com.au](mailto:chris@gibsondriveshaft.com.au)*

Driveshafts - Mining, Car, Truck  
Dynamic Driveshaft Balancing  
Metal Spray Technology

Driveshaft Spare Parts Supplier  
OEM Driveshaft Supply Specialist  
Industrial CV Shafts

[www.gibsondriveshaft.com.au](http://www.gibsondriveshaft.com.au)

GDS MG-1-9