

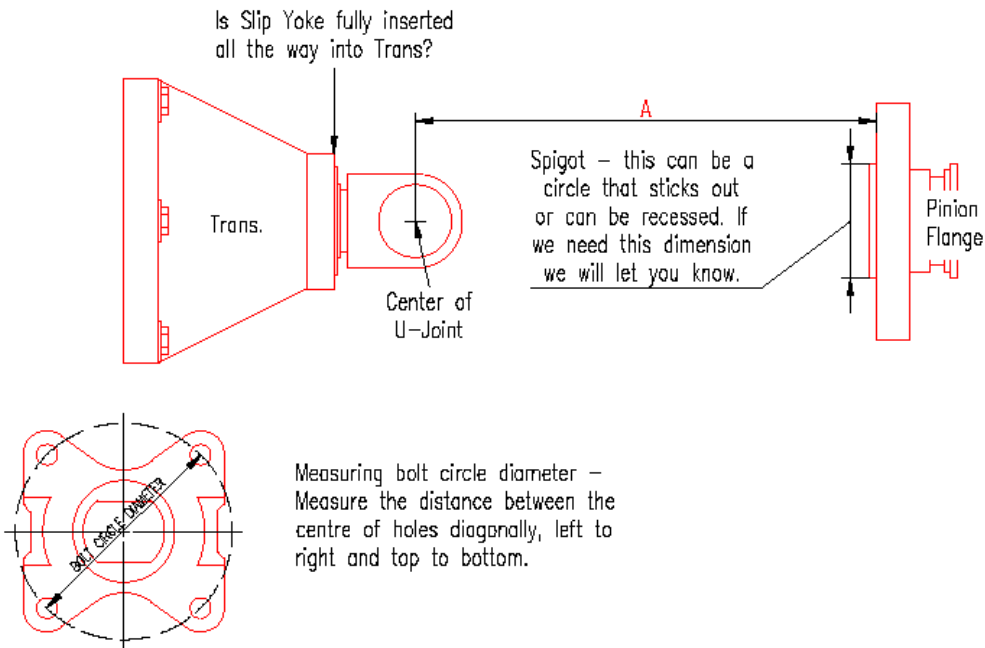
GDS JOB NO:	
--------------------	--

Address: 5 Aluminium Close,
EDGEWORTH NSW 2285
Phone: +61 2 4958 3059
+61 2 4958 8944
Mobile: +61 417 018 229
Enquiries: chris@gibsondriveshaft.com.au
Web: www.gibsondriveshaft.com.au
ACN: 101 176 372 ABN: 79 101 176 372

1 PIECE CUSTOMER SLIP YOKE REAR FLANGE TYPE PINION

NAME:		PHONE:	
ADDRESS:			

IMPORTANT:
The Driveshaft **MUST** be measured in normal road driving position.
If the vehicle is to be jacked up it **MUST** be jacked up on the differential.
Take all length dimensions from Vehicle – **NOT** the old driveshaft.



DESCRIPTION	DOCUMENT MEASUREMENTS HERE			
Vehicle Make				
Does Slip Yoke fully disappear in Trans?	<input type="checkbox"/> Yes	<input type="checkbox"/> No (if no, put a mark on barrel where it stops)		
Length from centre of UJ cap to flat edge of flange	A=			
Length of Transmission Output Shaft				
Differential type if known				
Boot Seal on Transmission?	<input type="checkbox"/> Yes	<input type="checkbox"/> No	Boot Seal Length	
Bolt circle diameter (measure distance between holes)	Diagonal		Left to Right	Top to bottom
Spigot	<input type="checkbox"/> Recessed <input type="checkbox"/> Protruding		Diameter	

If you require assistance with the measurement of your driveshaft please don't hesitate to contact us.

Return form in person / fax or email to chris@gibsondriveshaft.com.au